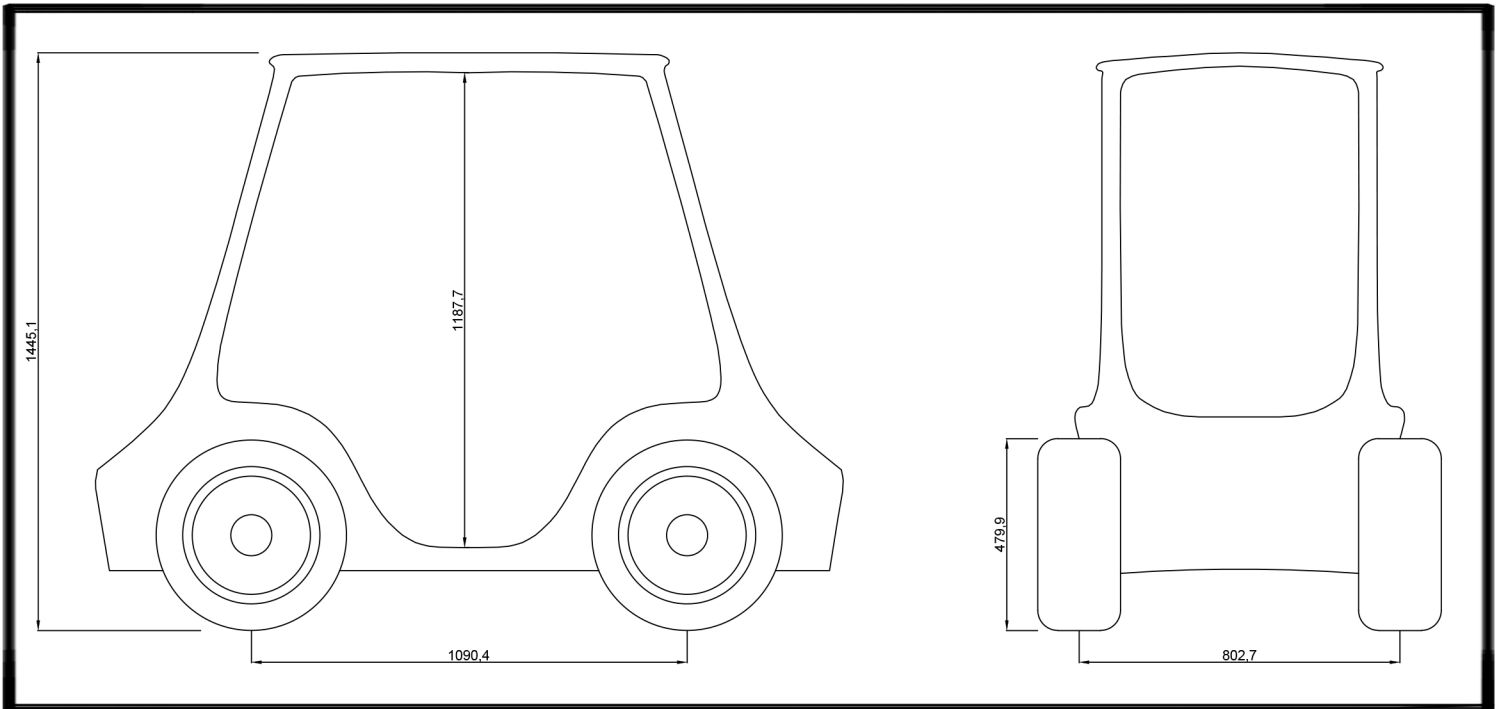


SprayAction – BM 202 Technical Data Sheet

Product	: BM 202
Quantity in this Project	: — units
Flow Rate	: 7 m ³ /h
Pressure	: 2 bar



Product Properties

The delivered Sprayaction product code is BM 202. This product consists of following components:

- Ø114 mm steel pipe as the main body,
- Ø240 mm steel flanges for installation on the ground,
- There are 4 screws with chemical anchor for connection to on the ground
- GRP (Glass Reinforced Plastic) feet and upper covers for accessorizing and camouflaging the feet connections

Important Notes

- This product has an interior piping. The feeding water is connected to an inner hose coming out of the product.

