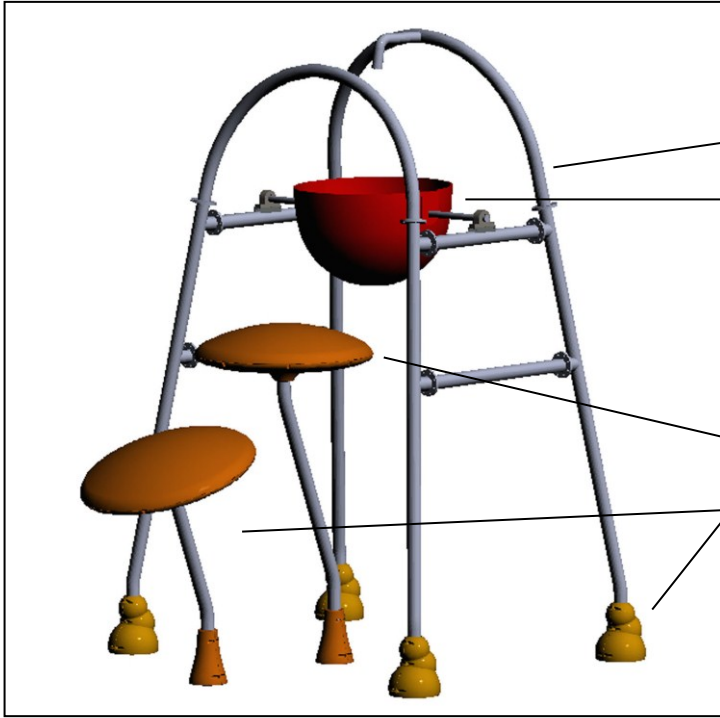
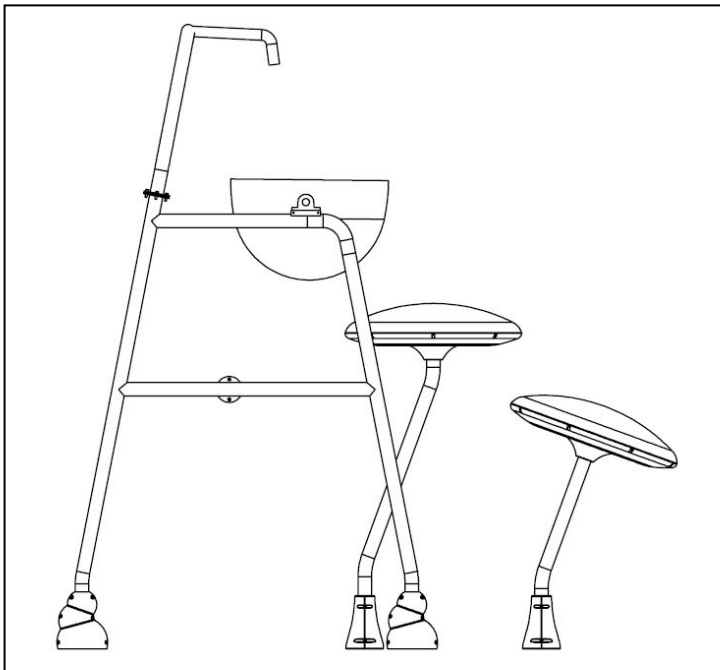


## SprayAction – ZN 003 Technical Data Sheet

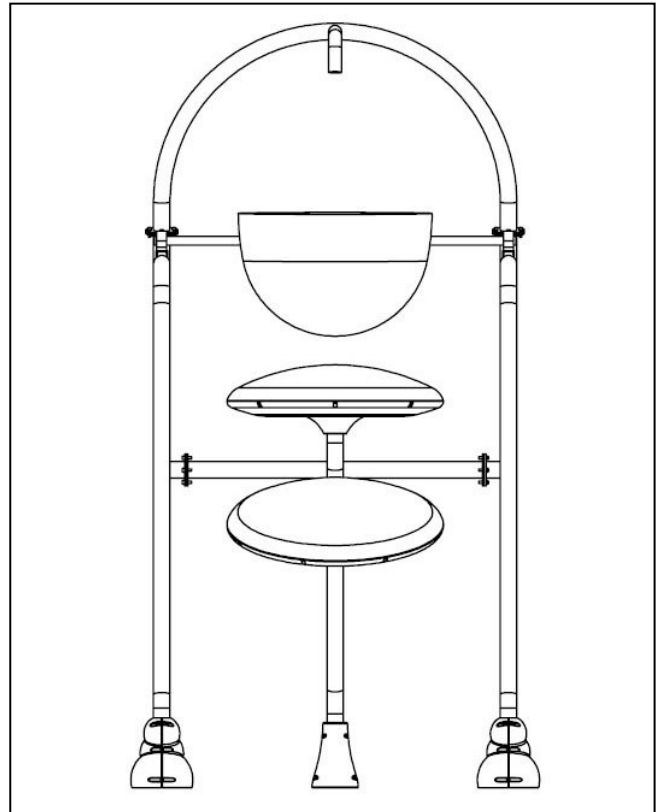
Product	: ZN 003
Quantity in this Project	: _____ units
Flow Rate	: 10 m <sup>3</sup> /h
Pressure	: 2 bar



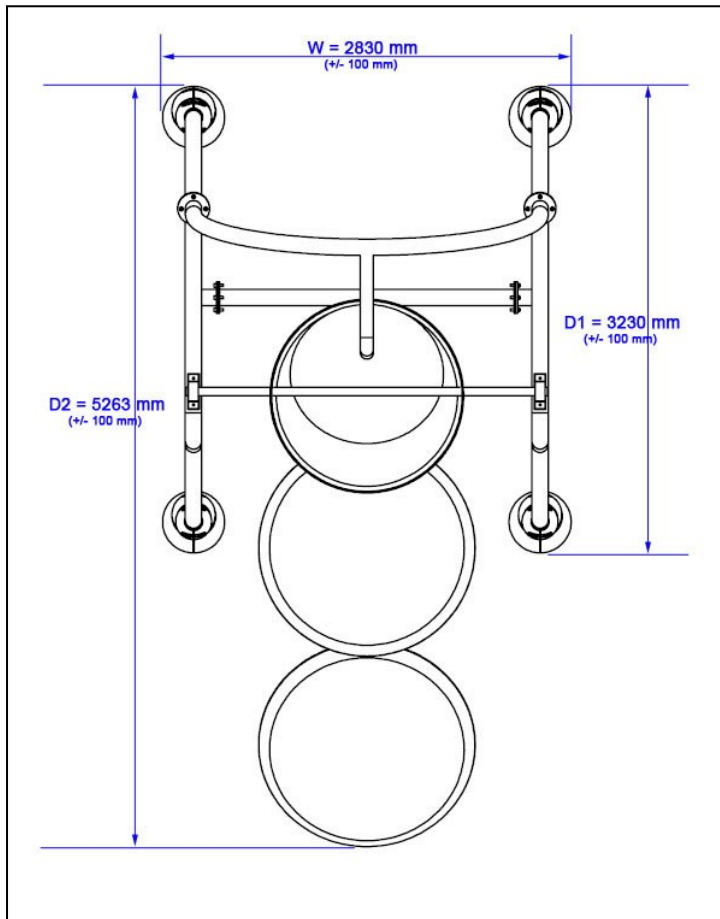
- Steel main body
- Bucket
- GRP cover parts
- Mushrooms



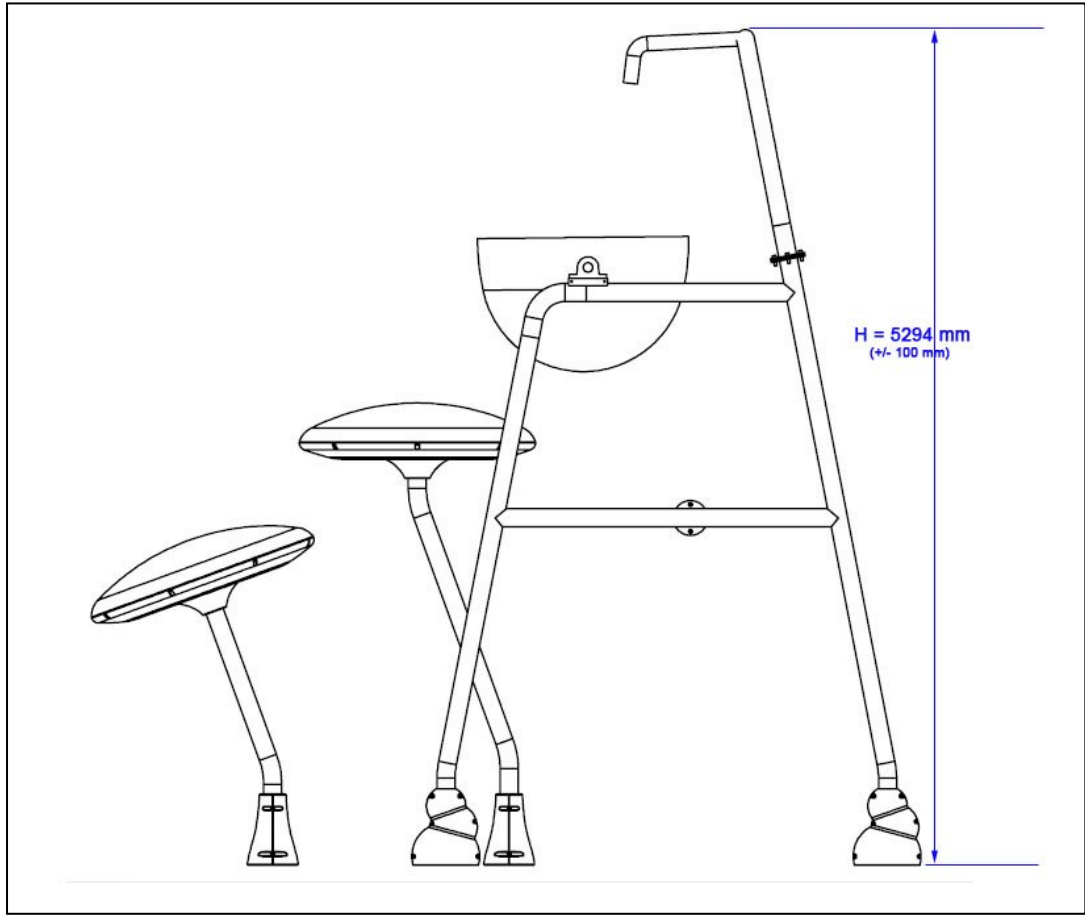
Side View



Front View



Plan View &  
General Dimensions



## Product Properties

The delivered Sprayaction Spray Park product code is ZN 003.

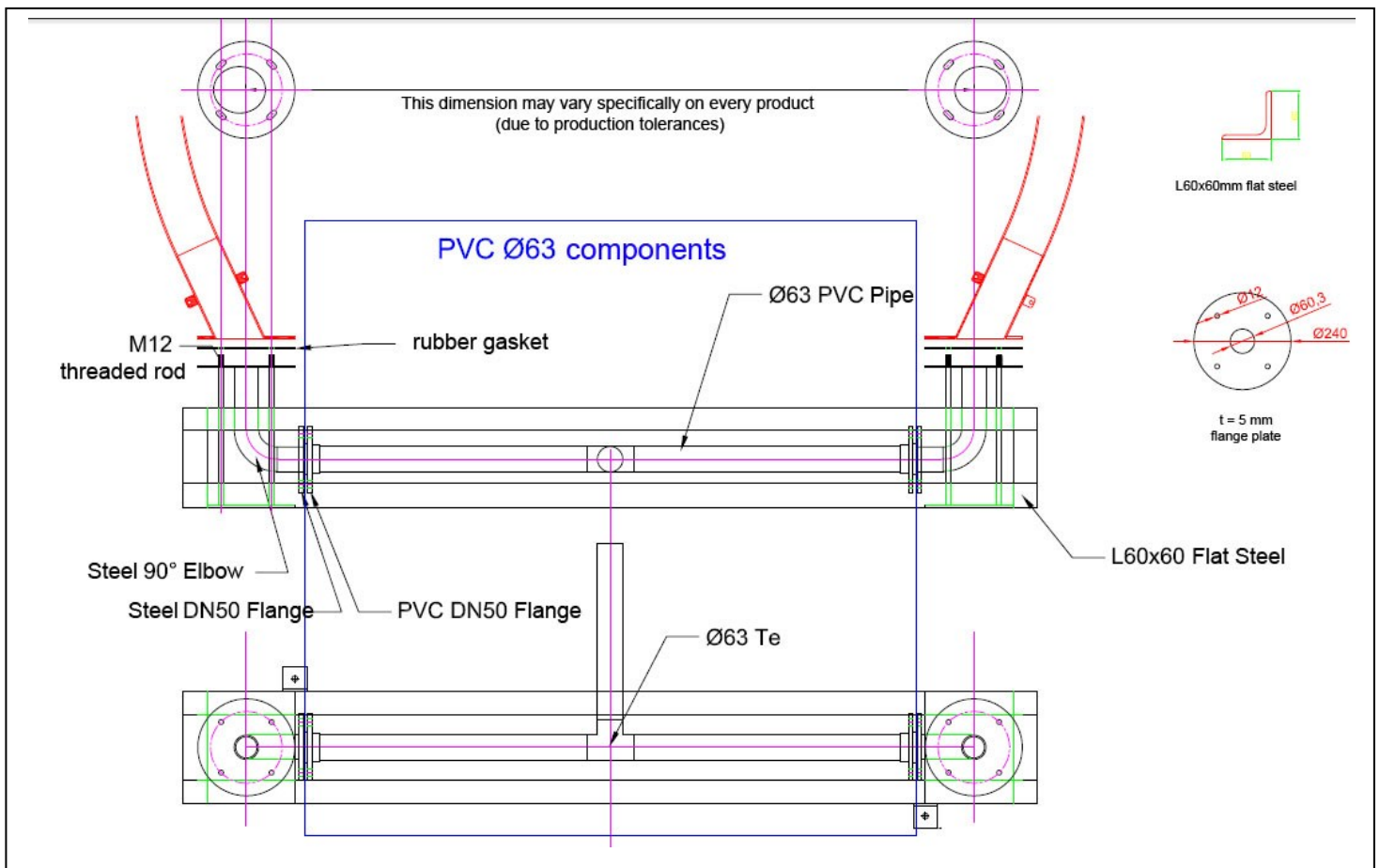
The product has 3 parts: the main body which holds the bucket, 1<sup>st</sup> and 2<sup>nd</sup> mushrooms. Feeding water goes through the main body and fills in the bucket with water. The filled bucket turns down with gravity and pours the water over the mushrooms. The general construction consists of following components:

- Ø114 mm steel pipe as the main body,
- Ø240 mm steel flanges for installation on the ground and for connection to the anchorage system,
- Anchorage system
- GRP (Glass Reinforced Plastic) feet and upper covers for accessorizing and camouflaging the feet connections

## Important Notes

- This product has no interior piping. There is a direct water inflow into the main body. Especially because of this, the special rubber gaskets (which will be provided by SprayVille) must be placed between “the steel flange of the product” and “the steel flange on the anchorage system”.

## Anchorage System



\* Above drawing symbolically shows another SprayVille product (A06) over the anchorage system, but the anchorage system is completely the same (except the dimensions).